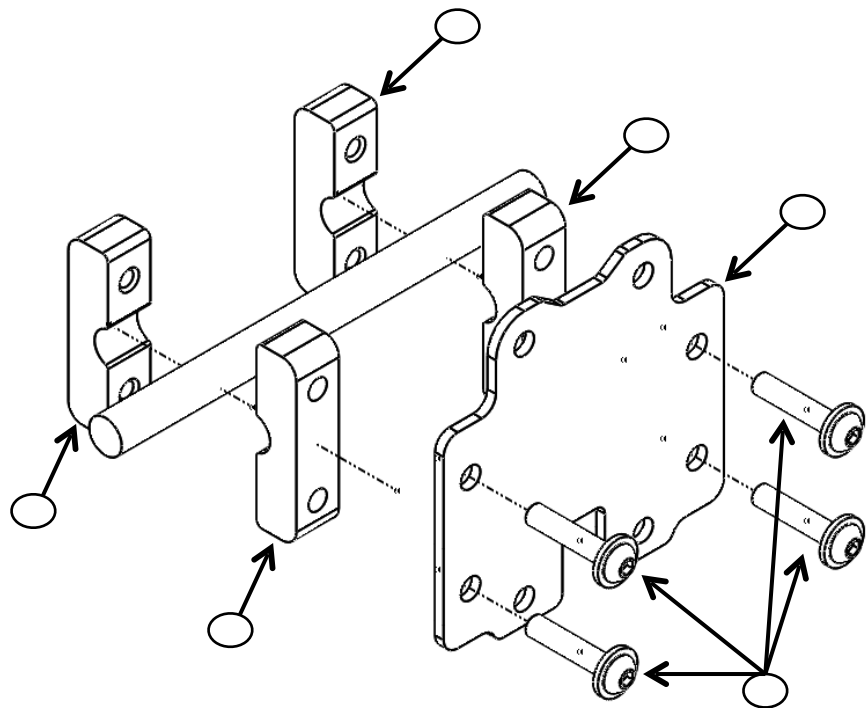


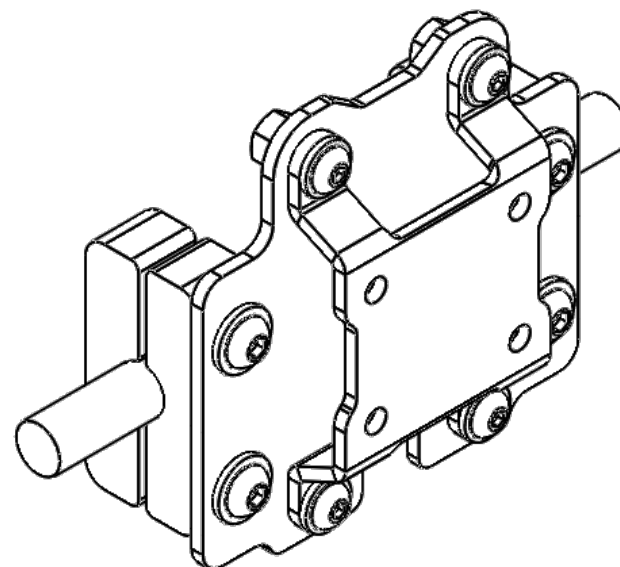
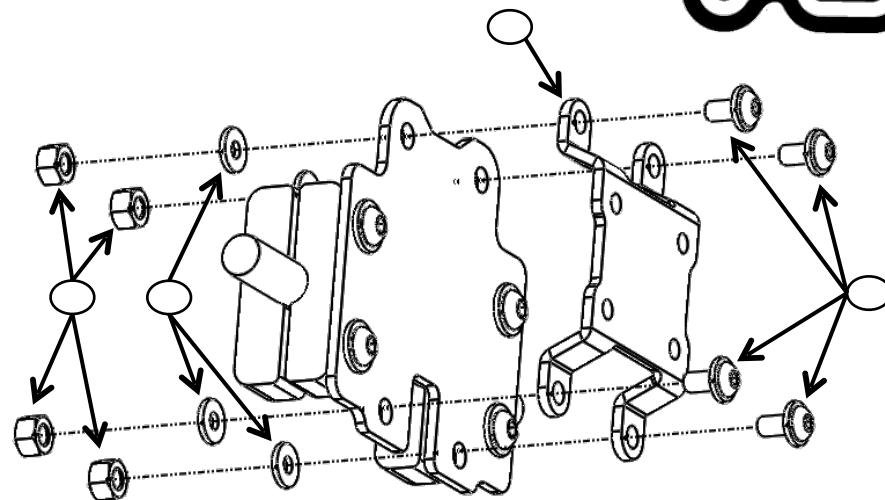
**GPS SUPPORT**  
**YAMAHA XTZ 690 TENERE 700 2020**  
Ref.: 2AD2130055



# ASSEMBLY SEQUENCE



# GPS SUPPORT YAMAHA XTZ 690 TENERE 700 2020



8	DTC Up Fixation	UP - 55	2
7	DTC Down Fixation	DOWN - 55	2
6	Base Plate	N°55	1
5	GPS Fixing Spider	Aluminium - 3mm	1
4	Nut Nylock	M5 - DIN 985	4
3	Washer	M5 - DIN 125	4
2	Screw Round Head With Washer False	M6x30 - ISO 7380	4
1	Screw Round Head With Washer False	M5x12 - ISO 7380	4

ITEM N°:	COMPONENT:	DESCRIPTION:	QUANT.:
----------	------------	--------------	---------

ACCESSORIES