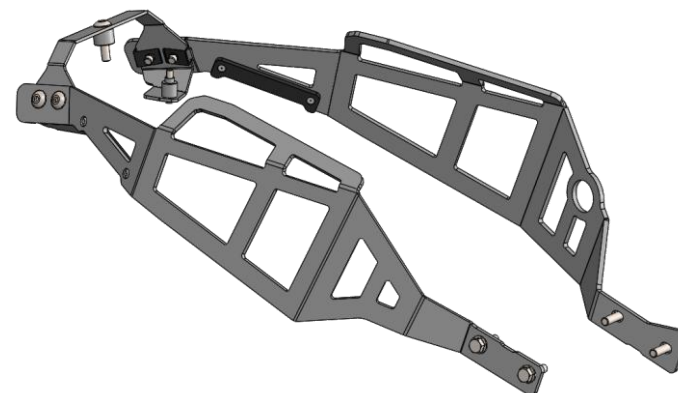




• Apply item N°10 (Box Side Support – x1) according to the photo.



	N.m	M4	M5	M6	M8	M10	M12
STEEL	8.8	2.7	5.5	9.7	23.0	47.0	80.0
STAINLESS STEEL	A2	2.6	5.1	8.7	21.2	42.0	73.0



10	Suporte Mala Lateral / Box Side Support	R129	1
9	Suporte Mala Lateral / Box Side Support	L129	1
8	Fixação Inox / Stainless Steel Clamp	C129	1
7	Casquilho AL / Aluminum Bushing	Ø15xØ7x19mm RPØ9x5 - HCQ01A0161	2
6	Casquilho AL / Aluminum Bushing	Ø20xØ9x15mm - HCQ01A0056	1
5	Mola Friso / Stainless Steel Clip	M8	4
4	Parafuso / Screw	M8x30 DIN6921 A2	4
3	Parafuso com FA / Screw with Washer False	M8x35 FA ISO7380 A2	1
2	Parafuso com FA / Screw with Washer False	M8x20 FA ISO7380 A2	4
1	Parafuso com FA / Screw with Washer False	M6x30 FA ISO7380 A2	2
ITEM N°:	COMPONENTE (COMPONENT):	DESCRIÇÃO (DESCRIPTION):	QUANT.:

**ACESSÓRIOS (ACCESSORIES)**

**SIDE LUGGAGE RACK**  
REF.: 2AD222B129



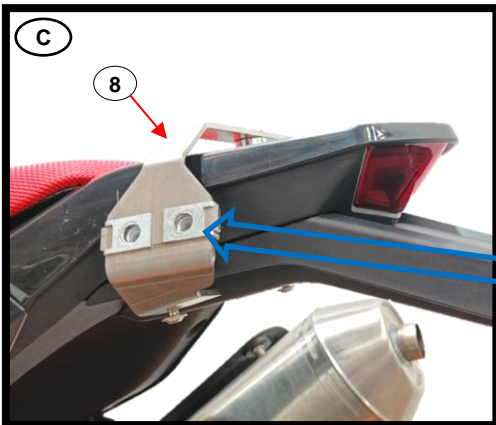
## ASSEMBLY INSTRUCTION



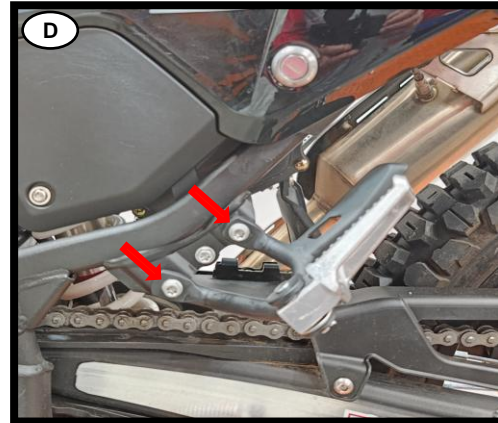
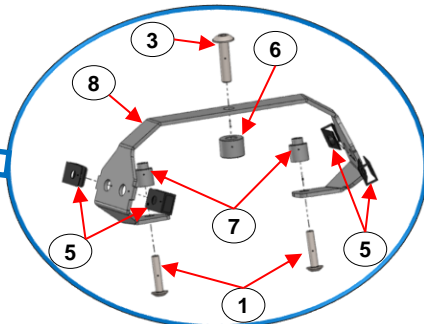
- Remove the OEM Screws (x2) marked in the photo.



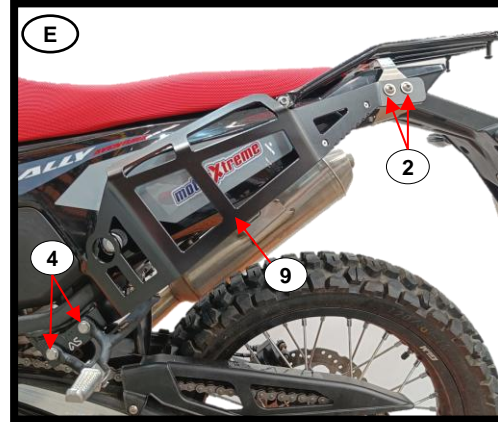
- Remove the OEM Structure marked in the photo.



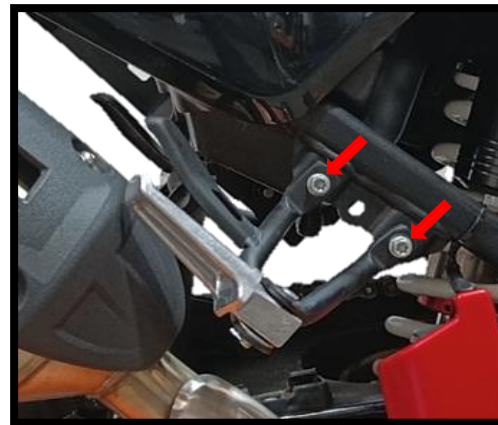
- Apply item N°8 (Stainless Steel Clamp – x1) according to the photo.



- Remove the stirrup marked in the photo.



- Apply item N°9 (Box Side Support – x1) according to the photo.



- Remove the stirrup marked in the photo.